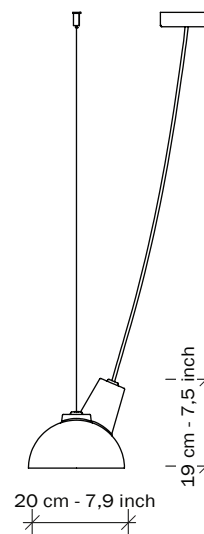
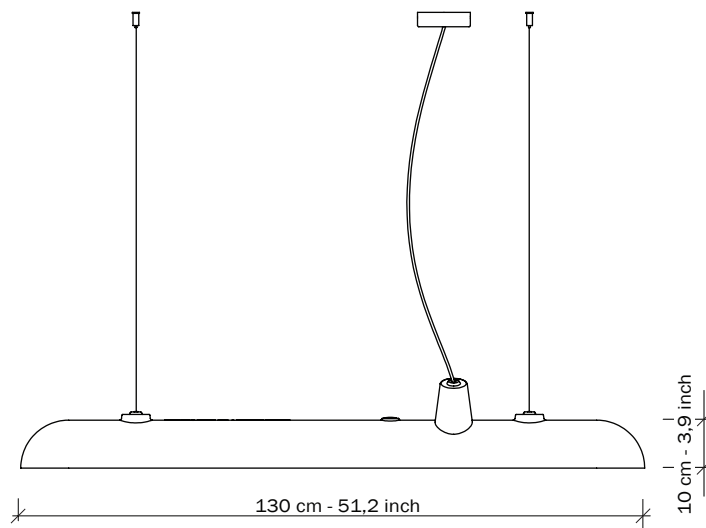
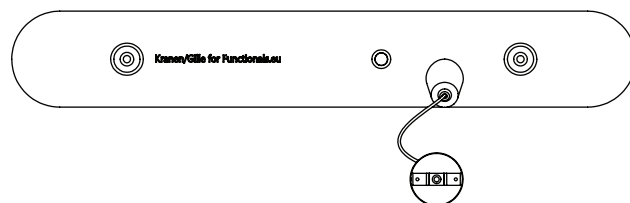


LUFTSCHIFF

KRANEN & GILLE



SPECIFICATIONS

Body:

Cast aluminium, powder coated in textured black, with perspex diffuser.

Suspension wires:

Stainless steel, max. length: 275 cm - 108,3 inch.

Light Source:

Built-in LED lamps, dimmable. 3000K, 80Ra, 3000lm

Power

AC 100 - 240 V

Energy class:

The Luftschiff includes built-in LED lamps of energy class A. The LED lamps cannot be replaced.

Cable length:

max. 295 cm - 116,1 inch

Weight:

10 kg - 22,0 lb.

⚠ Do not use Luftschiff in combination with a wall dimmer or wall switch.

⚠ Use the button on top of Luftschiff to dim it and turn it on and off.

⚠ Luftschiff cannot be controlled by an external system (e.g. DALI).

3D-FILES OR HR-IMAGES

Check: www.functionals.eu/downloads

FUNCTIONALS
by Ad&Simon

Functionals

Edisonstraat 5
NL-5051 DS Goirle
tel. +31 (0)13 530 03 89
info@functionals.eu
www.functionals.eu