

systemtronic
datasheet HOLD DAILY



General description:

Hold Daily, specific auxiliar furniture for workspaces, it's closed at the back side, with great capacity and movement facility thanks to it's casters of 64 mm of diameter.

Available in two versions Hold Daily DR with door and locker or Hold Daily BX with box.
Produced in a folded steel sheet, painted with poliester paint.

Designer: Estudio Enblanc.

Year of launch: 2015.



Technical description:

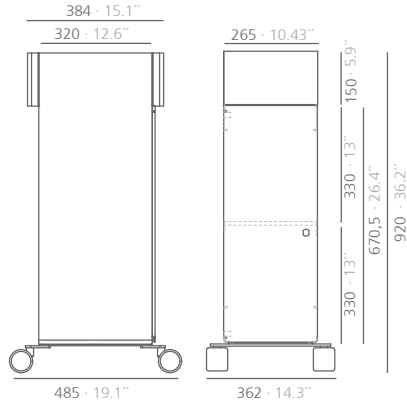
Material: Steel.

Dimensions:

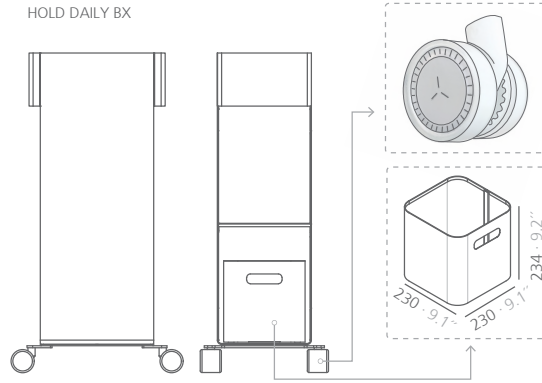
Hold daily DR: 485x362x920 mm 19.09x14.25x36.22"

Hold daily BX: 485x362x920 mm 19.09x14.25x36.22"

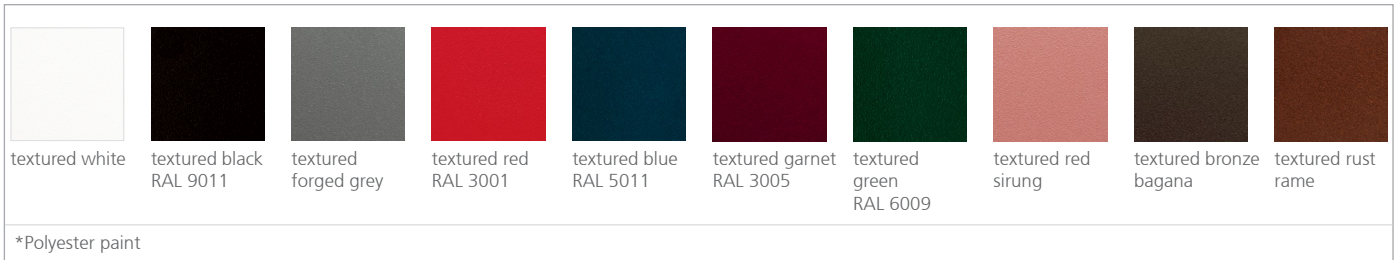
HOLD DAILY DR



HOLD DAILY BX



mm · inches

Finishes:

For its use in humid zones, an additional primer process is required before the paint.
For finishes and special dimensions please consult.

Maintenance:-Polyester Paint:

For dry dirt (dust), use a damp cloth. For greasy/oily stains (fingerprints), wipe with a sponge with water and dishwashing liquid. Rinse with a damp cloth. Avoid using products containing solvents and/or pure ethyl alcohol.

-Aluminium-metal-glass-melamine-plastic:

We recommend using normal cleaning products for delicate surfaces. Alcohol, solvents and abrasive agents must be avoided.

Sustainability:

Manufacturing materials are 100 % recyclable. The used paints do not contain solvents, do not consume water and do not generate emissions or waste. The result is a lower environmental impact.

systemtronic _ Hold Daily

www.st-systemtronic.com

nacional@st-systemtronic.com · export@st-systemtronic.com

tel. 96-1852784 · fax.34-961854482

ASSOCIATED N°00320

 AIDIMME
INSTITUTO TECNOLÓGICO

METALMECANICO, MUEBLE, MADERA, EMBALAJE Y AFINES



Calidad Controlada