

FUNCTIONALS



FUNCTIONALS.EU

EXPECT THE UNCONVENTIONAL

ABOUT FUNCTIONALS

SEATS

Wendela Chair 008
Wendela Barstool 016
Miller Lounge chair 022
Miller High 028
Miller Ottoman 030
Emil Rosi Chair 034
Emil Rosi Chair with armrest 040
Lloyd Bench 044
Lloyd Bench outdoor 048
Stool 052
Cushion 056

TABLES

Lloyd Table 060
Lloyd High table 068
Lloyd Low table 070
Lloyd Special size 072
Lloyd Table outdoor 074
T-table 078
T-table outdoor 084
Kumpel 088
Wood Air 094

STORAGE

Ossa Storage module 102
Ossa Door panel 108
Ossa Cork 110
Ossa Leather inlay 112

LIGHTS

Aron 401 116
Swivel Floor 122
Swivel Wall 128
Luftschiff 132
Mr. Ed 138
Stoklamp 144

ACCESSORIES

Bonsai 1 & Bonsai 5 152
Bowl 158
Hooks 3 & Hooks 8 164
Mirror Mirror 170
Patterns Dishtowels 174
Patterns Table linen 178
Twist Petit 180

DESIGNERS

CRAFTSMANSHIP IN OUR DNA

Expect the unconventional

Functionals specializes in furniture and home goods that answer needs, delight the eye, and stand the test of time. We launched in 2009 with a commitment to what we call “unconventional design”: innovative yet timeless products made with careful attention to detail. We refuse to chase trends or take shortcuts. Instead, we collaborate with some of Europe’s leading designers, work closely with craftspeople, and manufacture the products ourselves at our factory in the small Dutch town of Goirle. Our products are made to last, so they are made well. Each item reflects both the designer’s unique perspective and the Functionals aesthetic of elegant simplicity.

Functionals began with only two products. As you can see, our collection has grown exponentially and now includes tables, seating, storage, lighting, and accessories. Some of these products like the Lloyd table and Wendela chair have become design classics in their own right. We’re looking forward to creating more iconic pieces in the years to come.

Purchase our products online at [Functionals.eu](https://functionals.eu) or at one of our selected resellers around the world.





SEATS

SEATS

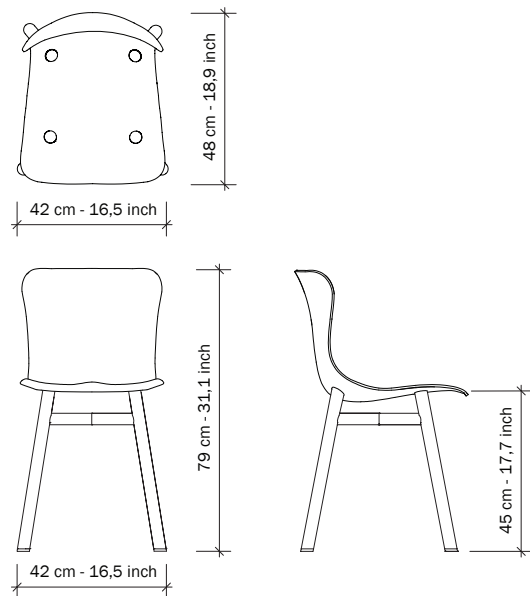
WENDELA



WENDELA CHAIR

Design Serener

Serener's compact, lightweight Wendela chair gorgeously unites materials and manufacturing techniques of different eras. The beech seat is created from a mold originally produced in the 1950s. It sits upon a contemporary aluminum base. Meanwhile, the visible connection between the seat and base references joinery used by carpenters for centuries. The Wendela's aluminum base is available in white, parallel, rust, black and dark grey. Choose either dark beech or light beech for the wooden seat.



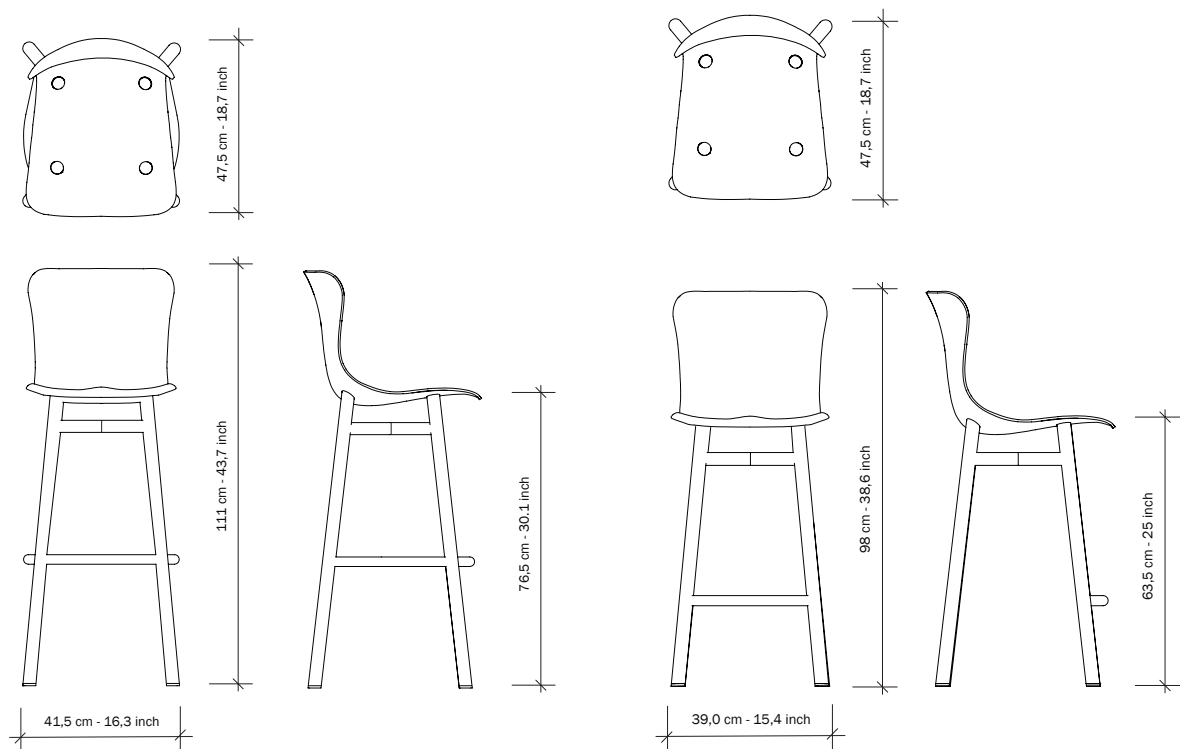




WENDELA BARSTOOL

Design Serener

Serener's compact, lightweight Wendela barstool gorgeously unites materials and manufacturing techniques of different eras. The beech seat is created from a mold originally produced in the 1950s. It sits upon a contemporary aluminum base. Meanwhile, the visible connection between the seat and base references joinery used by carpenters for centuries. The Wendela barstool is available in two colors and two heights.



Barstool 111 Black



Barstool 111 White



Barstool 98 Black



Barstool 98 White





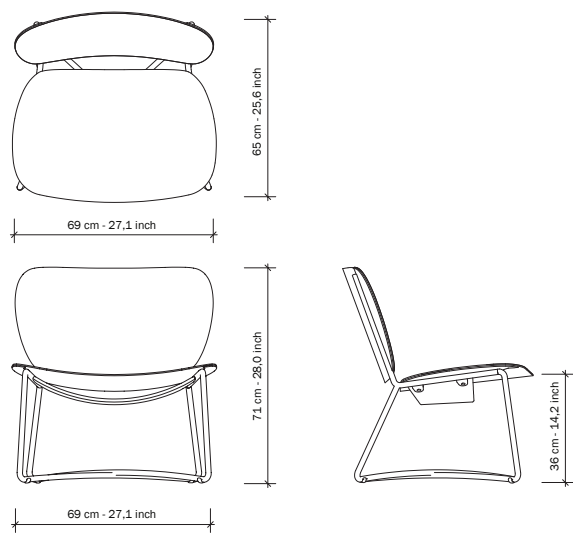


MILLER

MILLER LOUNGE CHAIR

Design Serener

Get Comfortable. Embrace Luxury. Meet Miller. This lounge chair has a friendly yet graceful aesthetic. It is made of sumptuous leather that will only get more beautiful as it ages. It is also exceptionally comfortable, with plenty of lower back support. The frame and base are made of reflexive 18 mm steel, while a layer of wood under the seat provides “shock absorption.”

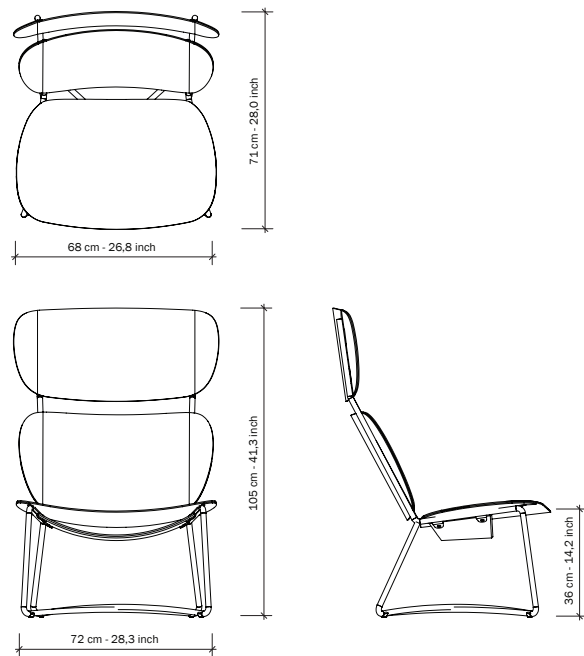




MILLER HIGH

Design Serener

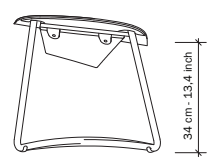
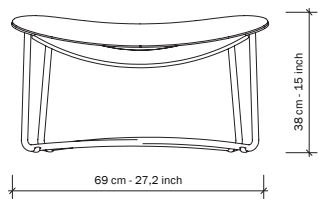
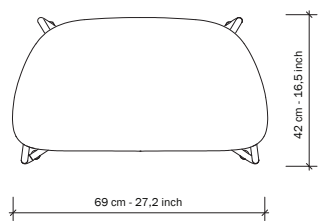
Our elegant yet cozy Miller Lounge chair has been so popular that we decided to create an even more comfortable version. Miller High unites the lower back support of the original with a gently curving headrest. Pair the Miller High with the Miller Ottoman and settle in. Like its shorter relative, Miller High is made of sumptuous leather that ages gorgeously. The chairs also share the same fundamental design: a frame and base made of reflexive 18 mm steel and a layer of wood under the seat for “shock absorption.” The two styles of chairs look great together, too. Invite the entire Miller family to your home, lounge or lobby!



MILLER OTTOMAN

Design Serener

For ultimate relaxation, pair the Miller Lounge or Miller High with their companion Miller Ottoman. The combination is perfect for reading or secretly taking a nap.



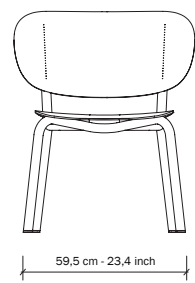
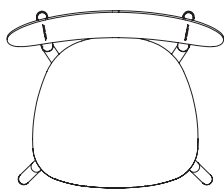


EMIL ROSI

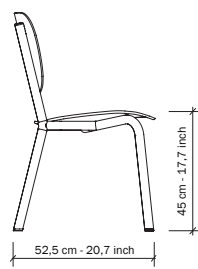
EMIL ROSI CHAIR

Design Serener

Luxuriate stylishly with Emil Rosi. The generous size, supportive form, and sumptuous leather back make this chair supremely comfortable. Use Emil Rosi as a dining chair and invite your friends over for a 10-course meal. Place it in the living room to encourage long conversations. Put clients at ease by adding an Emil Rosi or two in your waiting room or lounge. Never has luxury felt so good.



84 cm - 33,1 inch

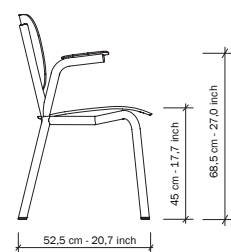
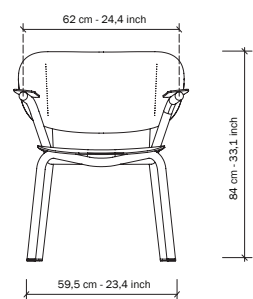
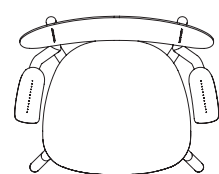




EMIL ROSI CHAIR WITH ARMREST

Design Serener

Luxuriate stylishly with Emil Rosi. The generous size, supportive form, and sumptuous leather back make this chair supremely comfortable. Use Emil Rosi as a dining chair and invite your friends over for a 10-course meal. Place it in the living room to encourage long conversations. Put clients at ease by adding an Emil Rosi or two in your waiting room or lounge. Never has luxury felt so good.





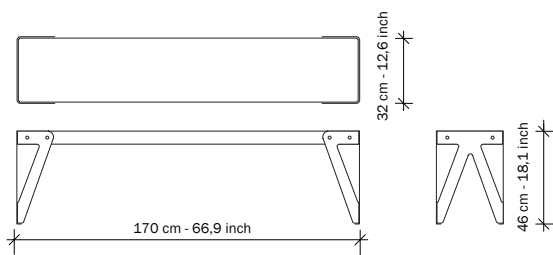
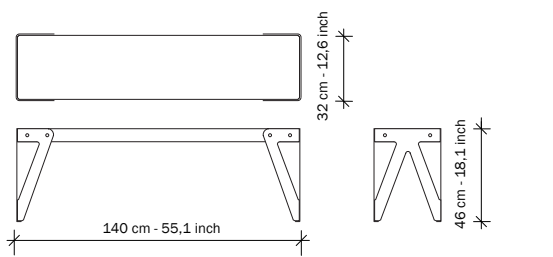
LLOYD



LLOYD BENCH

Design Serener

Meet the Lloyd Bench, the low-riding cousin of our Lloyd Table. Serener's Christoph Seyferth originally designed the Lloyd series for the legendary Lloyd Hotel & Cultural Embassy in Amsterdam, where the tables and benches occupy guest rooms, common spaces, and the in-house restaurant. Strong, elegant, and versatile, the Lloyd Bench and Table have become touchstones of Dutch design.

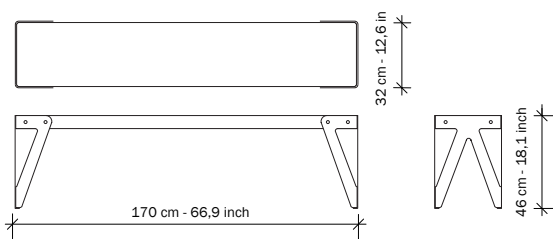


LLOYD BENCH OUTDOOR

Design Serener

This bench is begging to go outside!

Meet the exterior-grade version of Serener's Lloyd Bench. Part of the family of furniture designed expressly for the Lloyd Hotel & Embassy in Amsterdam, the Lloyd Bench is now a classic of Dutch design. The metal seat flexes, allowing all of the Bench's feet to touch the ground...no matter how uneven the surface.





050 LLOYD BENCH OUTDOOR

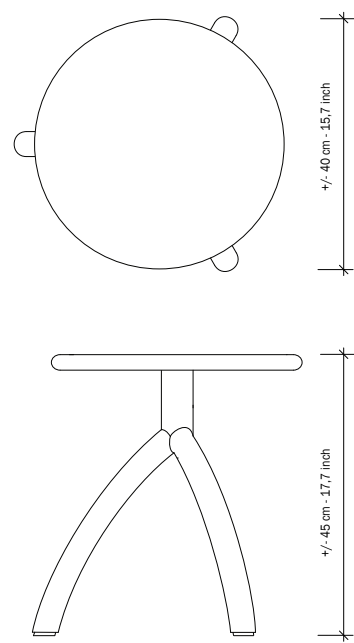


LLOYD BENCH OUTDOOR 051

STOOL

Design Serener

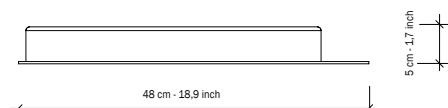
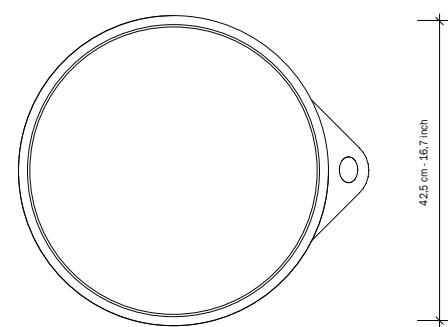
Serener's anodized aluminum stool simultaneously recalls a sleek, contemporary end-table and a traditional wooden piano seat. The aluminum makes the stool durable yet lightweight, and the curved rim under the seat doubles as a handle. Bring it wherever you go.



CUSHION

Design Serener

Made of soft, supple leather, this cushion is both stylish and comfortable. Put it on a stool, bench, or chair, or throw it on the floor for extra impromptu seating.



TABLES

TABLES

LLOYD TABLE

LLOYD TABLE

Design Serener

Serener originally designed the Lloyd table for the avant-garde Lloyd Hotel & Cultural Embassy in Amsterdam. The table has become regarded as an exemplar of smart Dutch design. The steel top allows the table to be exceptionally stable. The metal flexes to accommodate uneven surfaces – all four legs always touch the floor. The Lloyd table is elegant and versatile, sturdy and poetic.



064 LLOYD TABLE



LLOYD TABLE 065

066 LLOYD TABLE



LLOYD TABLE 067

LLOYD HIGH TABLE

Design Serener

The Lloyd High Table is not just for bars. It also makes a great display surface for art or favorite objects. The table has become regarded as an exemplar of smart Dutch design. The steel top allows the table to be exceptionally stable. The metal flexes to accommodate uneven surfaces – all four legs always touch the floor. The Lloyd table is elegant and versatile, sturdy and poetic.



LLOYD LOW TABLE

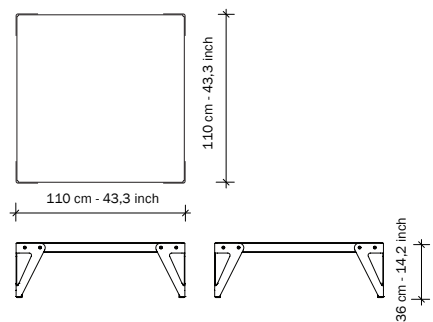
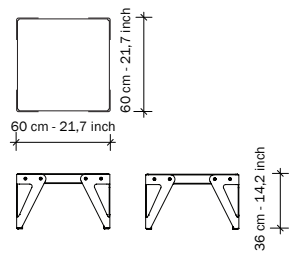
Design Serener

Serener's iconic Lloyd design at coffee table height. Lloyd Low is a descendant of a practical and stylish design that Serener's Christoph Seyferth originally created for the avant-garde Lloyd Hotel & Cultural Embassy in Amsterdam. The Lloyd Table has become regarded a new classic of Dutch design.



070 LLOYD LOW TABLE

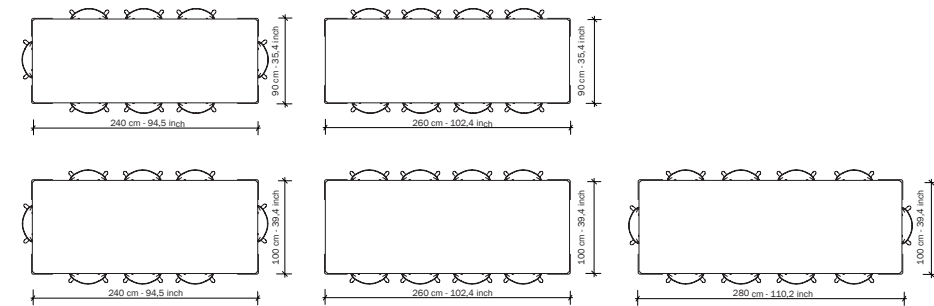
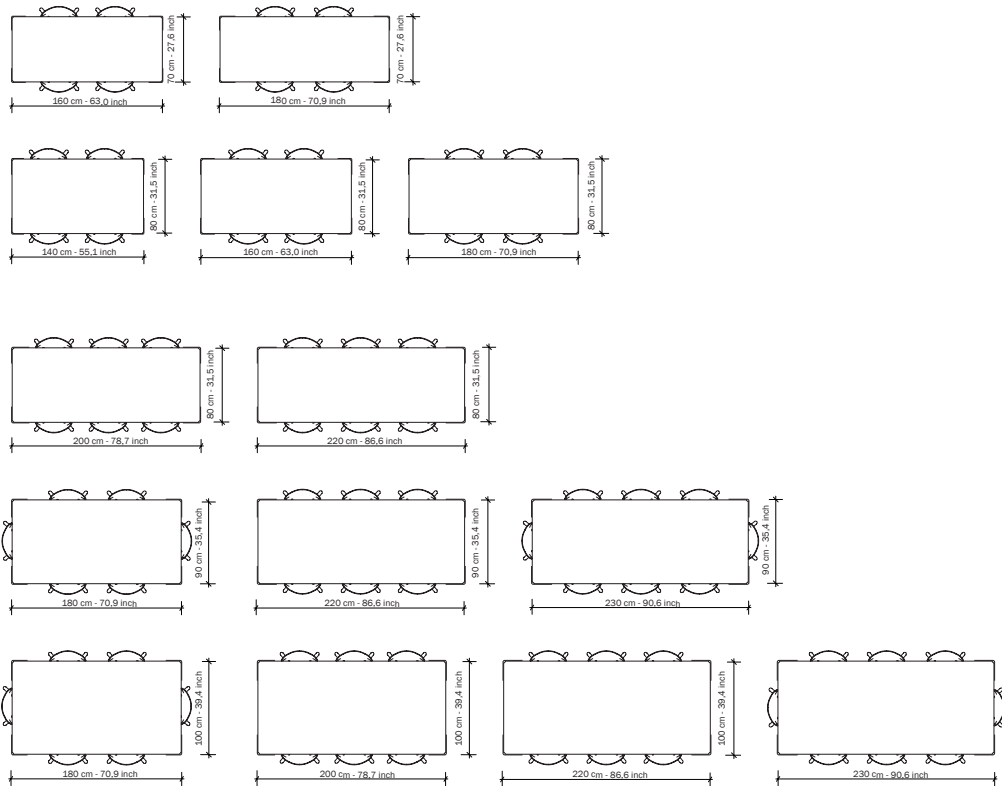
LLOYD LOW TABLE 071



LLOYD SPECIAL SIZE

Design Serener

Custom-create your own Lloyd Table! Choose your width between 70 and 100 cm, and any length between 140 and 280 cm. Height possible at 73, 76 and 111 cm.



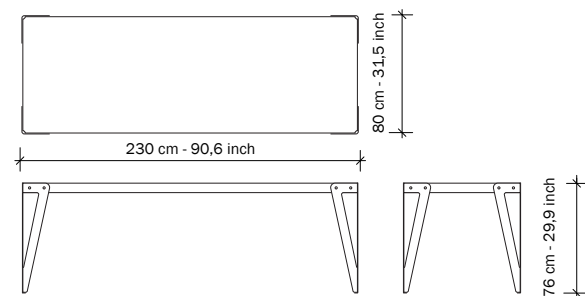
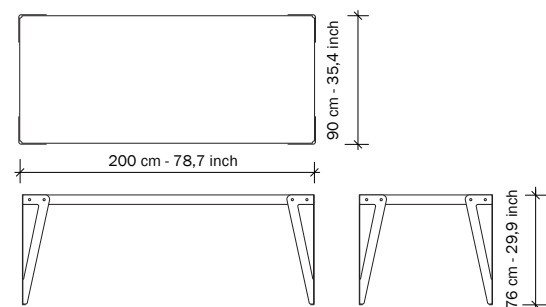
NEW COLOUR



LLOYD TABLE OUTDOOR

Design Serener

Serener originally designed the Lloyd table for the avant-garde Lloyd Hotel & Cultural Embassy in Amsterdam. The table has become regarded as an exemplar of smart Dutch design. The steel top allows the table to be exceptionally stable. The metal flexes to accommodate uneven surfaces – all four legs always touch the floor. The Lloyd table is elegant and versatile, sturdy and poetic.





T-TABLE



T-TABLE

Design Serener

This sturdy little table is the perfect eating surface for a bistro or an apartment. The slim, T-shaped legs easily accommodate two chairs or four for a cozy group. Floor not level? No problem. The steel top flexes to account for uneven surfaces, so all four legs always touch the floor. The T-Table can be stacked in groups of two or three for storage. Rubber stops prevent scratching, while built-in handles make the table easy to carry. For a comfortable feel, add our Sousmain. This matching soft top is available in black.





T-TABLE OUTDOOR

Design Serener

Serener's exterior-grade T-Table is ideal for a patio or outdoor café. The slim, T-shaped legs easily accommodate two chairs or four for a cozy group. The steel top flexes to account for uneven surfaces, so all four legs always touch the floor. Need to close up for the night? The T-Table can be stacked in groups of two or three. Rubber stops prevent scratching, while built-in handles make the table easy to carry.



086 T-TABLE OUTDOOR



T-TABLE OUTDOOR 087

KUMPEL

KUMPEL TABLE

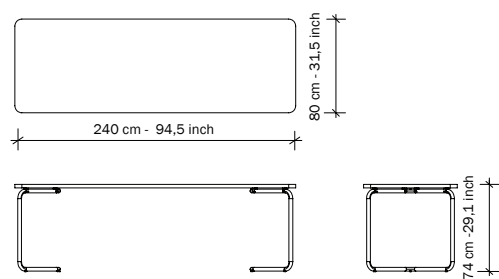
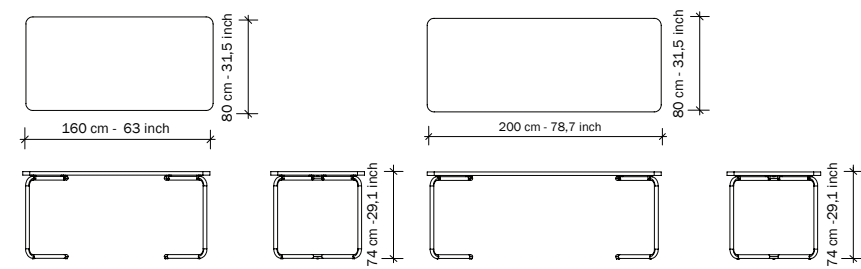
Design Hermes/Jessen

Why is this table named Kumpel (“pal” in English)? Because it has many of the characteristics of a great friend. It’s stable and dependable—the sturdy plywood top is covered with easy-to-clean and forgiving linoleum. It is also welcoming. The 80cm width is ideal for dinner with friends or meetings with colleagues, and the trestle bases were designed to maximize legroom. Available in three sizes, the Kumpel table is destined to be your best pal.



090 KUMPEL

KUMPEL 091





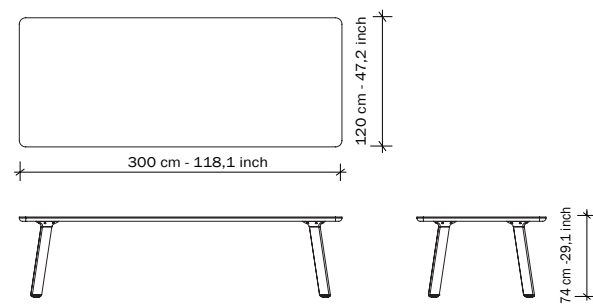
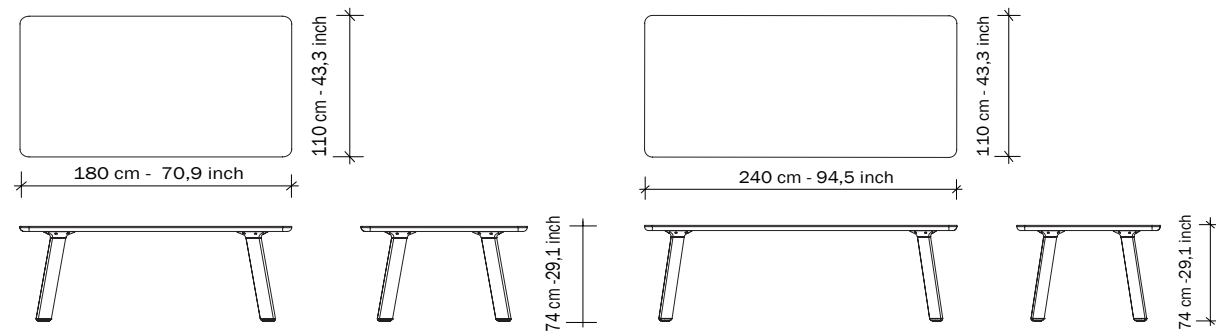
WOOD AIR



WOOD AIR TABLE

Design Iskos-Berlin

Boris Berlin of design studio Iskos-Berlin says the objective of Wood Air was to create a table that was “simple, archetypal, and friendly.” With its clean form, generous dimensions, and the warmth of wood, this table couldn’t be more inviting. Use it as a dining table and prepare for long, leisurely meals. Put it in a conference room and it will inspire lively meetings. Settle in and enjoy the conversation. Wood Air is available with oak and walnut veneer.





STORAGE

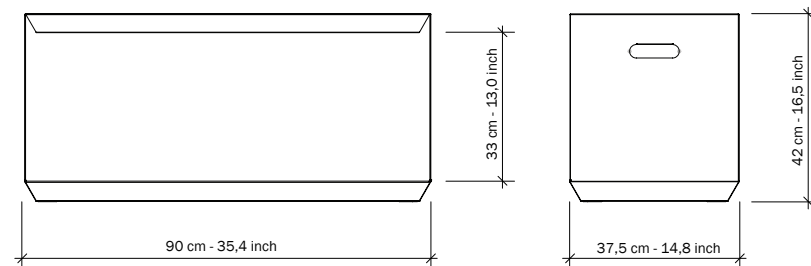
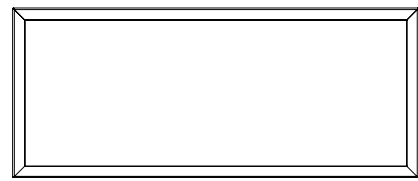
STORAGE

OSSA

OSSA STORAGE MODULE

Design Geckeler Michels

Everyone can use more storage, whether at home, at work or in a retail environment. But who wants to spend hours putting together a shelf? Ossa offers maximum flexibility for minimum effort. The bottom of each module snaps to the top of another. No tools necessary. The dimensions accommodate books, vinyl records, file folders, or display objects. Stack several layers against a wall or leave them freestanding to create a room divider. The back is as gorgeous as the front. The inspiration for Ossa was a folded cardboard moving box. Ossa is also produced by folding, but it is made of durable steel.

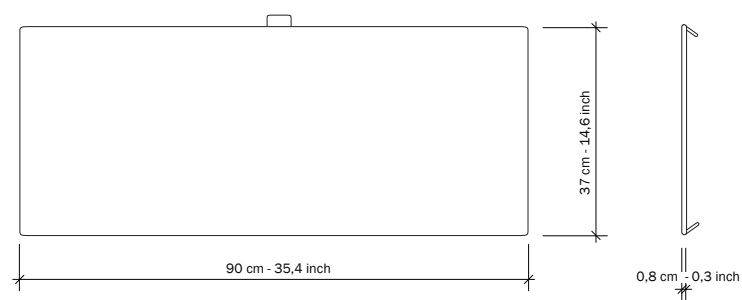




OSSA DOOR PANEL

Design Geckeler Michels

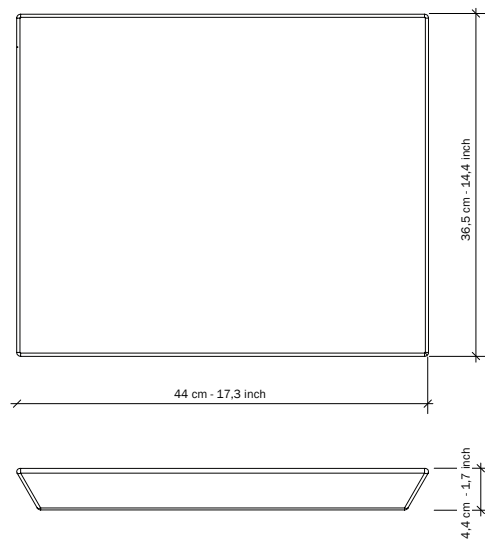
We wrapped fabric around two boards to create our door panel—the boards give the panel stability, while the fabric adds an element of softness. The panel attaches to the module with magnetic strips: one along the top of the panel and one along the bottom of the panel. Because the Ossa is metal, the installation couldn't be easier: the panel simply snaps into place.



OSSA CORK

Design Geckeler Michels

Our Ossa storage module is wonderful on its own, but even better when you customize it. Top with a cork element to make the module into a comfortable seat.

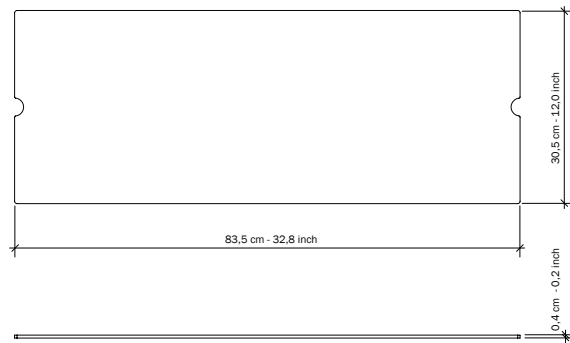


OSSA LEATHER INLAY

Design Geckeler Michels

Our Ossa storage module is wonderful on its own, but even better when you customize it. Use the leather inlay to showcase a treasured object.

112 OSSA LEATHER INLAY



OSSA LEATHER INLAY 113

LIGHTS

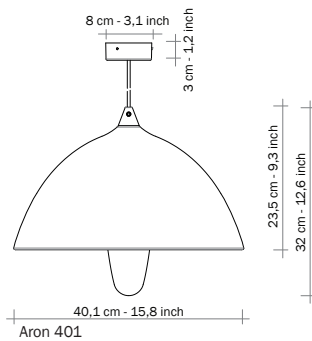
LIGHTS

ARON

ARON 401

Design Bertjan Pot

The basic form of Aron references a traditional ship lamp, and its manufacture is also rooted in tradition. It is created through metal spinning: shaping a flat disc of metal on a mold, a method first used in ancient China. The white metal dome lamp houses a glass cylinder containing the light bulb, creating intimate spots of light in any environment.





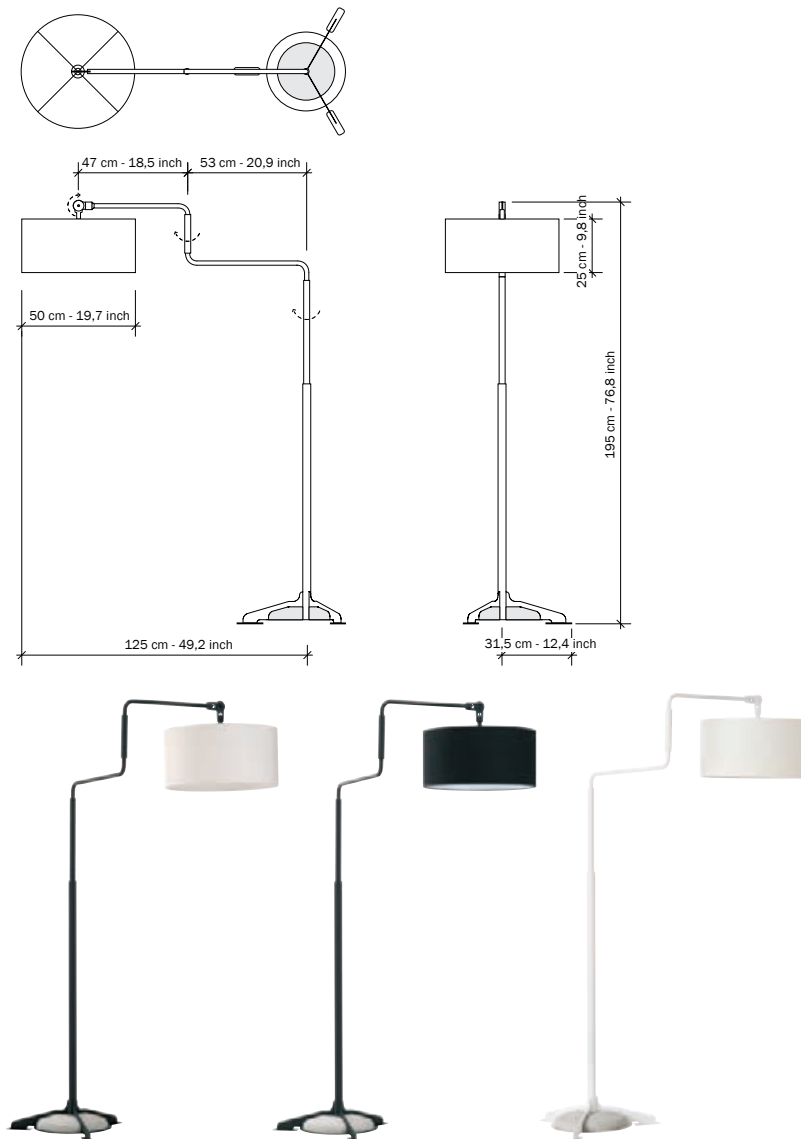


SWIVEL

SWIVEL FLOOR

Design Dick van Hoff

For one of his products to be labeled “fine craftsmanship” is the biggest compliment for Dick van Hoff. He stresses, though, that he is not interested in perfection. His products are simply made, usually of rough materials. The Swivel Light he designed for Functionals is a striking example: it has bold lines and is made of durable powder-coated steel.

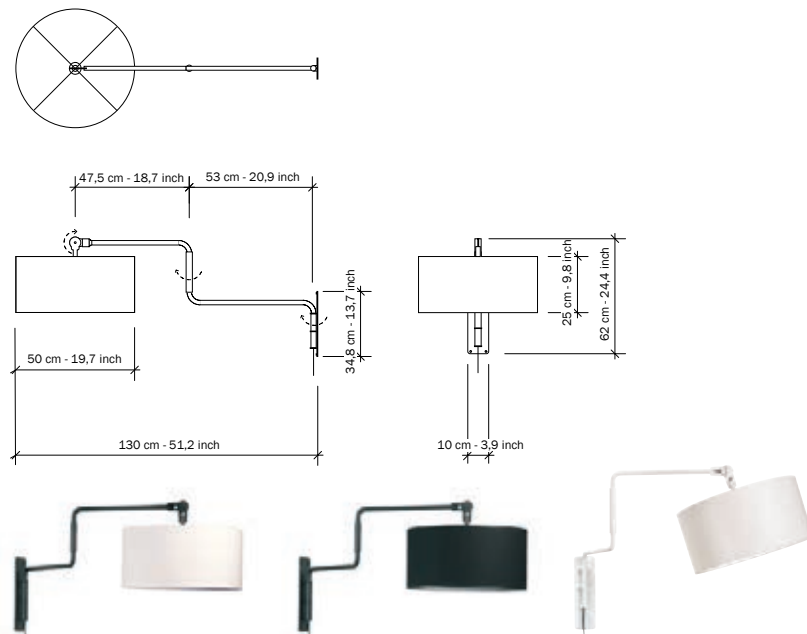




SWIVEL WALL

Design Dick van Hoff

For one of his products to be labeled “fine craftsmanship” is the biggest compliment for Dick van Hoff. He stresses, though, that he is not interested in perfection. His products are simply made, usually of rough materials. The Swivel Light he designed for Functionals is a striking example: it has bold lines and is made of durable powder-coated steel.





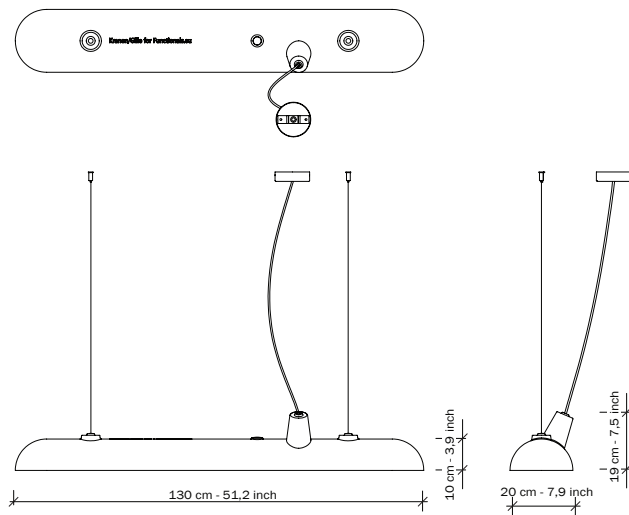
LUFTSCHIFF

Kranen / Gille for Functionals.eu

LUFTSCHIFF

Design Kranen/Gille

Kranen/Gille's cast aluminum light fixture resembles a submarine or airship. It glides through the air, tethered to the ceiling by nearly invisible steel wires. A thick black cable connects the light to its power source. This interplay between weight and weightlessness makes Luftschiiff a dramatic, thought-provoking addition to a dining room or office environment.





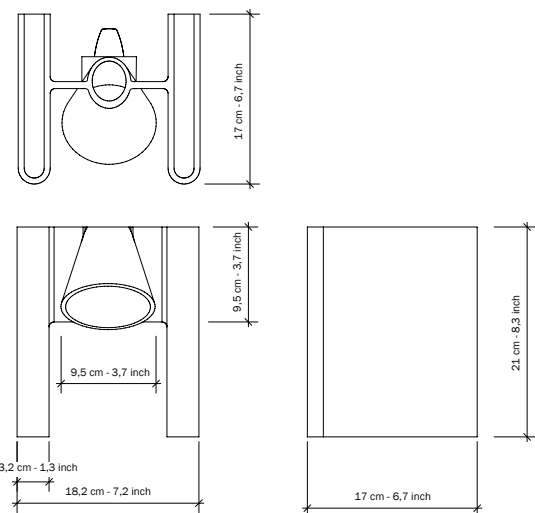


MR. ED

MR. ED

Design Roderick Vos

Looking at his extensive library one day, designer Roderick Vos realized that a scattering of small lights would showcase the books and aid readers. So he created Mr. Ed: a light bulb held in place by two vertical, book-like shapes. Equally at home on a bookshelf or bedside table. Since it is made of cast aluminum Mr. Ed has enough brute strength to act as a bookend.





STOKLAMP

STOKLAMP

Design Floris Hovers

Stoklamp is a harmonious blend of three distinct components: steel base, wooden shaft, and fabric shade. Unlike many other standing lamps, the Stoklamp refuses to hide the electric cord. Instead, the cord is fully visible, becoming a line that connects shade, shaft, and base – a line that is the lamp's defining feature.





ACCESSORIES

ACCESSORIES

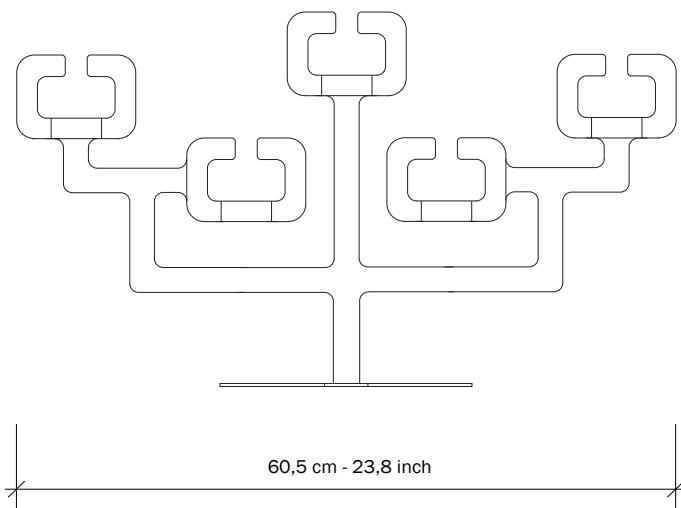
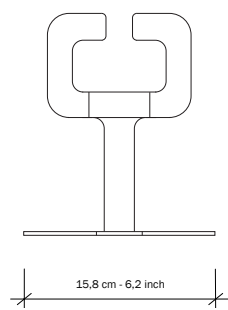


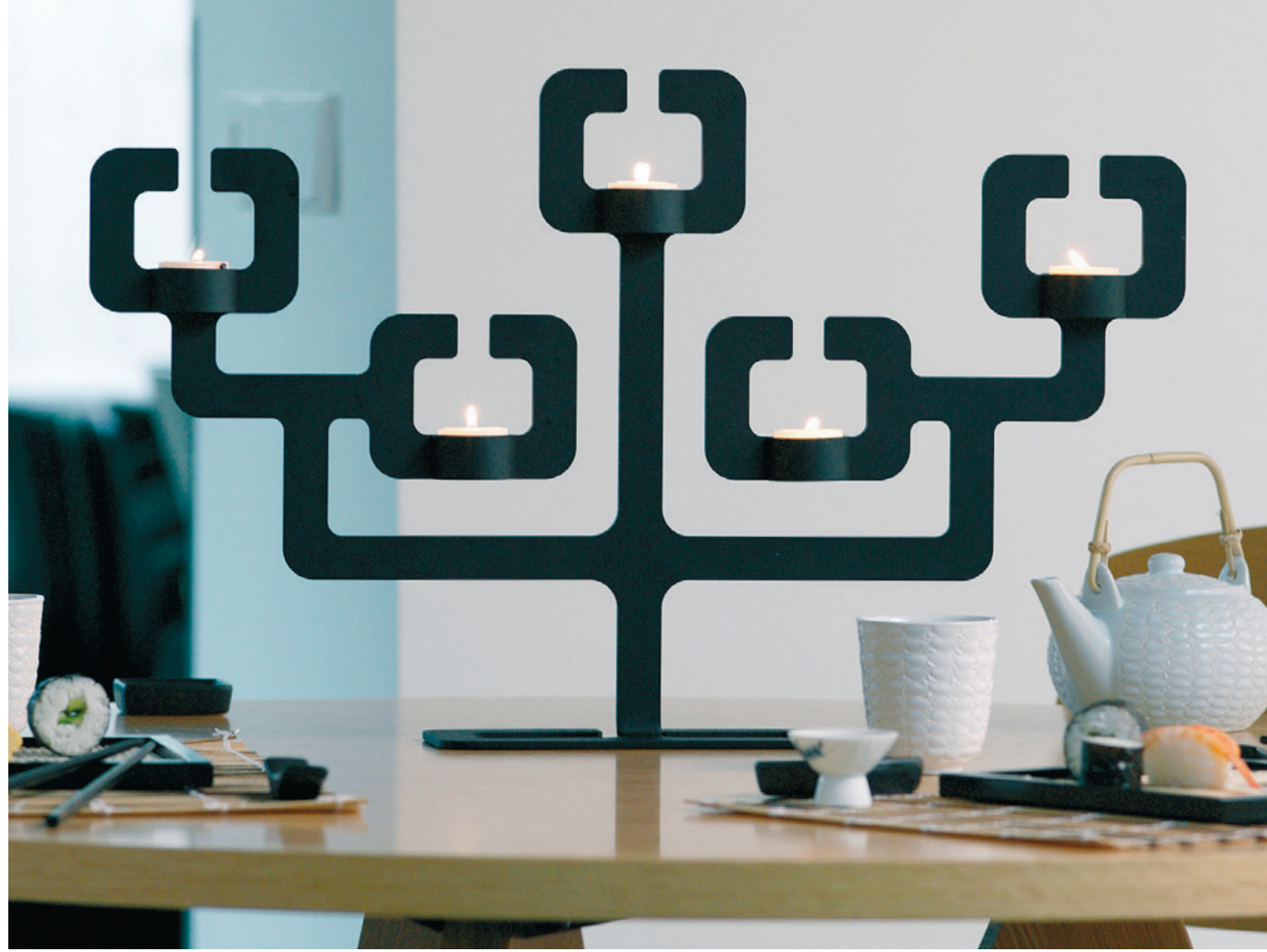
BONSAI

BONSAI 1 & BONSAI 5

Design Roderick Vos

Add serenity, grace, and refinement to a room with this tea light holders. Designer Roderick Vos has spent significant parts of his career in Japan and Indonesia, and the Bonsai reflects his interest in Asian art and culture. Its handcrafted look stems from Vos's encyclopedic knowledge of materials, technique, and manufacturing technologies.





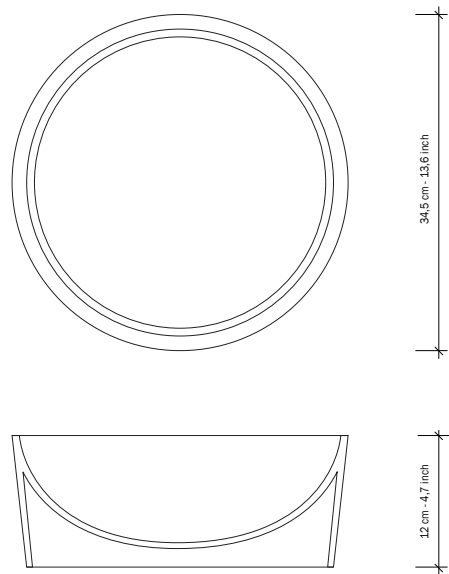


BOWL

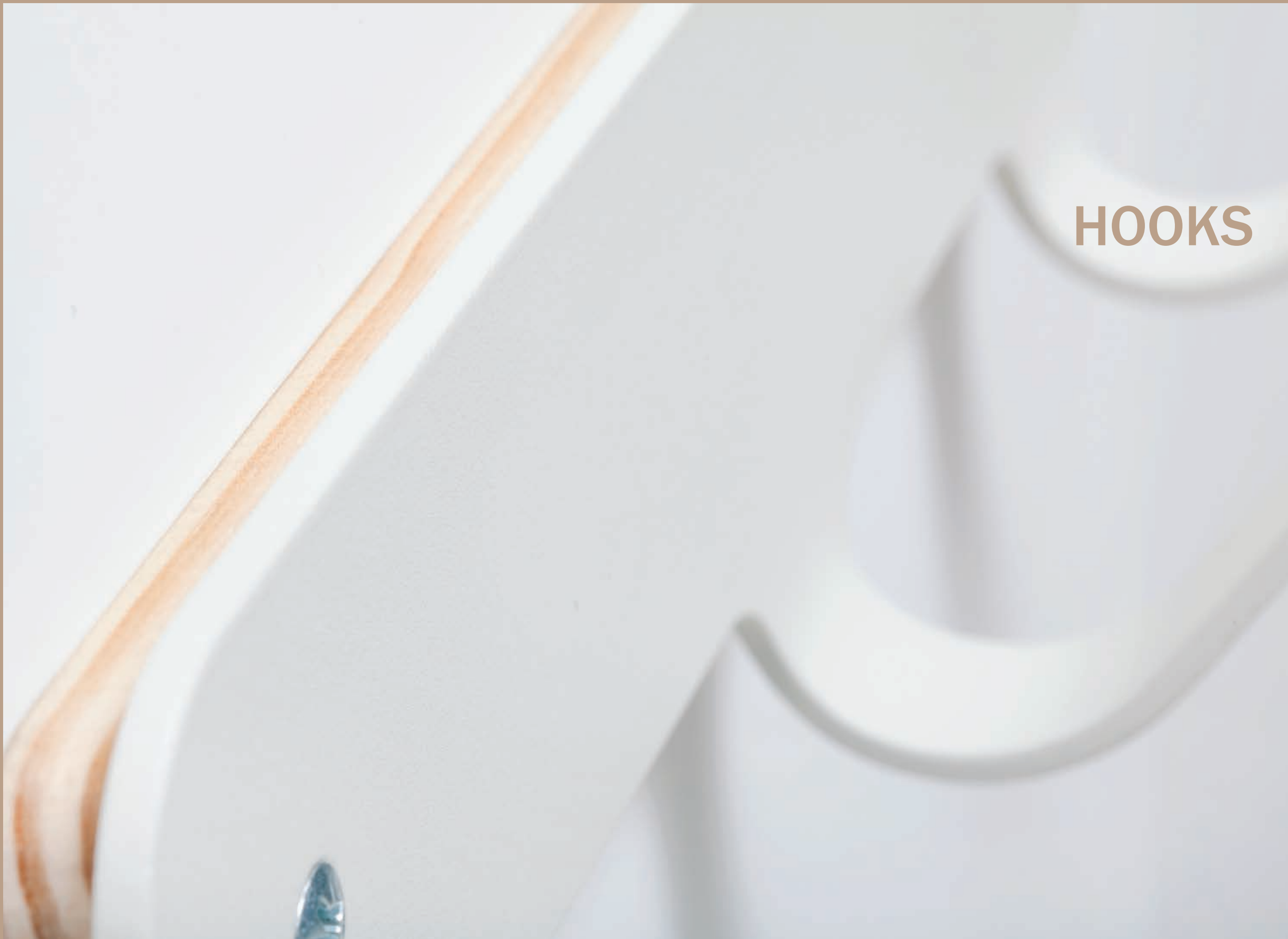
BOWL

Design Mia Lagerman & Ehlén Johansson

With Bowl, designers Mia Lagerman and Ehlén Johansson set out to achieve the seemingly impossible. How, they asked, can you balance a sphere on a flat surface? Because Bowl is glass, you can see the ingenuity of their solution: to nestle the sphere inside a ring. Bowl almost hovers above a table. This ethereal piece comes in three rich colors: brown, green, and pink.





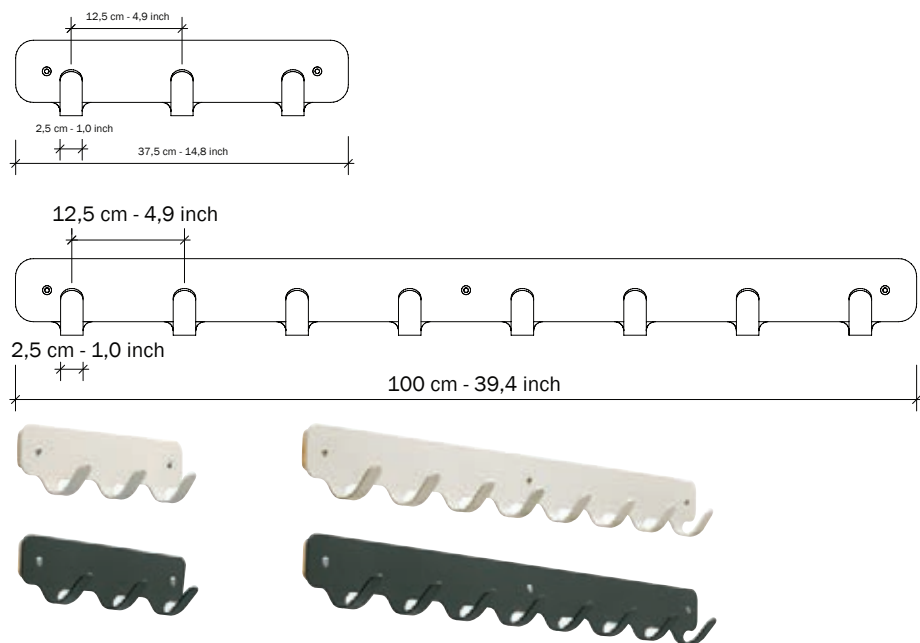


HOOKS

HOOKS 3 & HOOKS 8

Design Serener

Need a good place to hang your hat, bag, umbrella, or coat? Look no further than Serener's durable Hooks. Each is made from a single sheet of metal, with the hooks laser cut and then bent with a specially designed tool. Use one in a small space or arrange multiples on a larger wall.





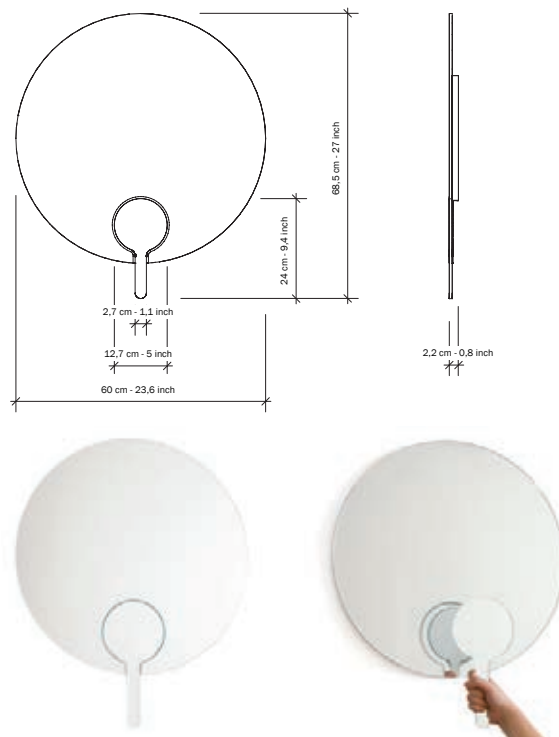
MIRROR MIRROR



MIRROR MIRROR

Design Jan Habraken

It's a habit many of us share: checking our appearance in a mirror before we head out the door. But we can only see our front side. How can we be sure that our backside is presentable? Jan Habraken has the solution. His graceful, circular wall mirror comes equipped with a matching hand mirror.



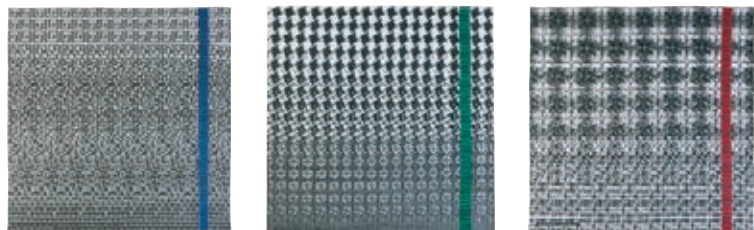
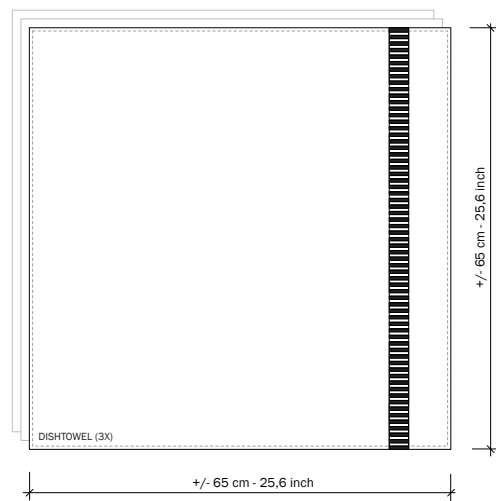
PATTERNS



PATTERNS DISHTOWELS

Design Claire Vos

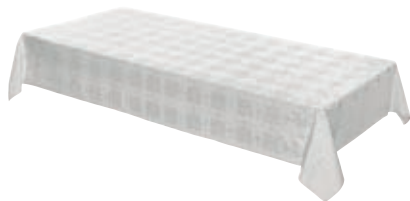
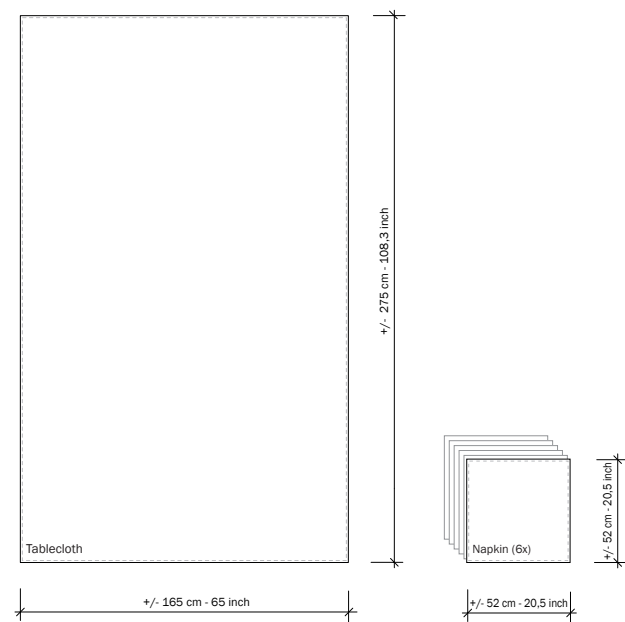
Iconic textile motifs merge and emerge three dishtowels designed by Claire Vos. A traditional French pattern dissolves into a pattern from Dutch folk art. Scottish plaid melds into an Asian theme. Finally, a Greek key turns into a checkered pattern. The patterns go through their choreography in graphic black and white, although a bright stripe of bright red, blue, or green bisects each towel.



PATTERNS TABLE LINEN

Design Claire Vos

The Patterns tablecloth and napkins explore the innate qualities of damask cloth, one of the oldest weaving patterns in the world. For her variation, Vos has chosen a light-grey Scottish plaid that dissolves and reassembles over an expanse of cream-colored linen fabric. The plaid is large-scale in the tablecloth, and smaller in the napkins.



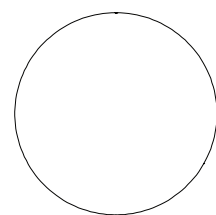


TWIST PETIT

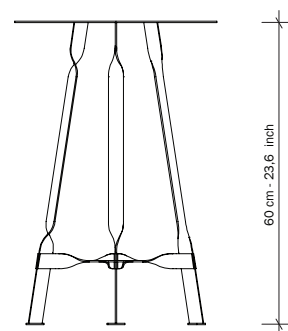
TWIST PETIT

Design Thomas Schnur

The Twist Petit is versatile and charming piece for home or office. The Twist Petit works well in any room, the perfect surface for a lamp, a plant, framed photos, a good book, or other treasures. What makes Twist Petit outstanding is its gorgeous twisted metal base, a technique that makes the table sturdy and stable.



Ø 40 cm - Ø 15.7 inch



60 cm - 23.6 inch





THE DESIGNERS

Functionals offers a collection of furniture and home goods designed exclusively for us by innovative designers. Each has his or her distinctive perspective, but they share a bold aesthetic, commitment to craftsmanship, and attention to detail.



Bertjan Pot



Claire Vos



Dick van Hoff



Floris Hovers



Geckeler Michels



Hermes/Jessen



Iskos-Berlin



Jan Habraken



Kranen/Gille



Mia & Ehlén



Roderick Vos



Serener



Thomas Schnur

COLOFON

PHOTOGRAPHY

Chris van den Bijgaart, Inpetto fotografisch, Moergestel
Isidoor van Esch, Amsterdam

STYLING

Gaby Hanrath, Studio Hector, Amsterdam
Peer Dobbelsteen, 's-Hertogenbosch

COPY

Sarah P. Morris, Cambridge, Massachusetts

CONCEPT & DESIGN

Peer Dobbelsteen, 's-Hertogenbosch

Copyright © Functionals 2019
All rights reserved

Functionals

Edisonstraat 5
NL-5051 DS Goirle
Tel. +31 (0)13 530 03 89
info@functionals.eu
www.functionals.eu



FUNCTIONALS.EU